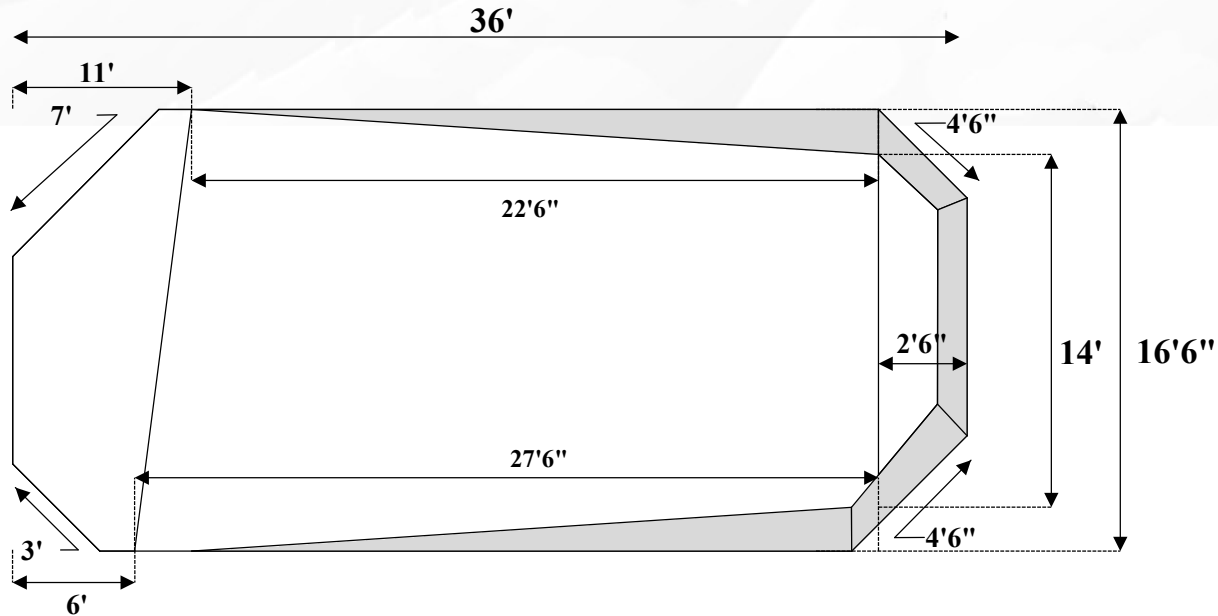




# Mirage Dig Diagram

It is important to have your excavator call to review the dig diagram prior to any excavation (1-800-305-5931)

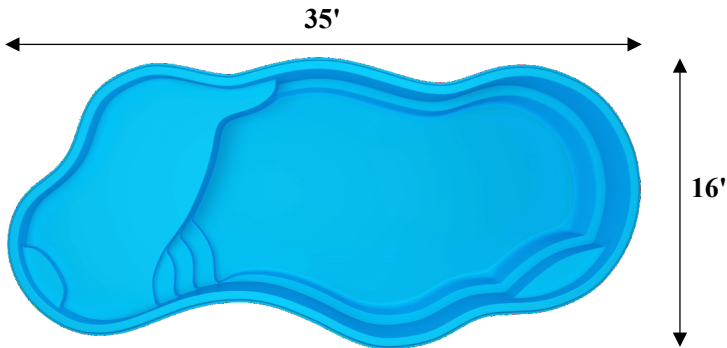
Pool Specifications	
Width:	16'
Length:	35'
Depth:	3'10" - 5'11"
Perimeter:	89'
Square Footage:	555 ft <sup>2</sup>
Capacity:	8,580 Gallons
Weight:	3,020 Lbs



\*\*\* Approximate Measurements Shown \*\*\*

Materials Needed	
Block 8x8x16:	5
Block Caps:	3
2x4x16:	0
2x6x16:	0
4x4x8:	2

Outside Dimensions



Depth Chart

